

Features

- Bask® heated surface creates spa-like relaxation with soothing warmth on your back, shoulders, and neck.
- Three heat settings allow you to customize the surface temperature.
- Freestanding design creates a striking focal point in your bathing area.
- 16" (406 mm) depth offers a deep soaking experience.
- Integral lumbar support.
- Textured bottom surface.
- Wide ledge on one side is ideal for deck-mount faucet and/or handshower.
- Center drain.
- Fluted shroud.
- 16" soaking depth.
- Bask® heated surface creates spa-like relaxation with soothing warmth on your back, shoulders, and neck.

Material

- Acrylic.

Installation

- Freestanding.
- PureFlo drains are not recommended for a deck-mount faucet installation.

Recommended Products/Accessories

K-37380 30" Rough-in Cable Bath Drain
K-24916 Wireless Music Kit
K-T37391 Rotary-turn bath drain trim
K-T37392 Rotary-turn bath drain trim
K-T37393 Rotary-turn bath drain trim
K-T37394 Rotary-turn bath drain trim
K-T37395 Bath drain trim
K-T37396 Push-button bath drain trim
K-T37397 Push-button bath drain trim
K-7265 Brass toe tap bath drain
K-37383 Rough-in cable bath drain, PVC, 30" cable with tubing
K-37386 rough-in cable drain, PVC, 30" cable
K-23726 Drain treatment
K-23732 Tub & shower cleaner



Codes/Standards



CSA B45.5/IAPMO Z124
ASTM E162
ASTM E662
UL 1795
CSA C22.2 No. 218.2

KOHLER® One-Year Limited Warranty

See website for detailed warranty information.

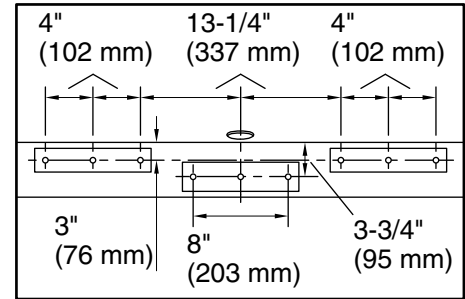
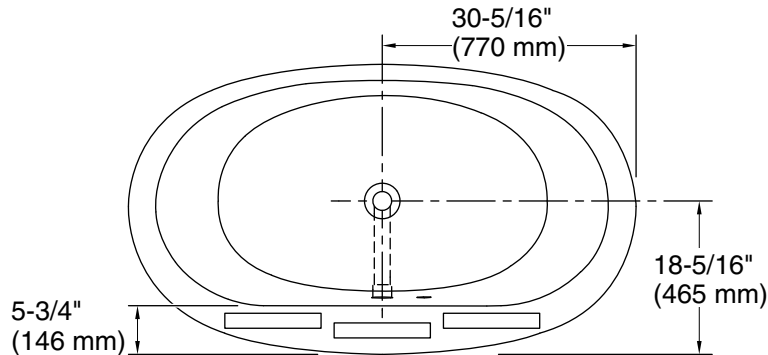
Available Colors/Finishes

Color tiles intended for reference only.

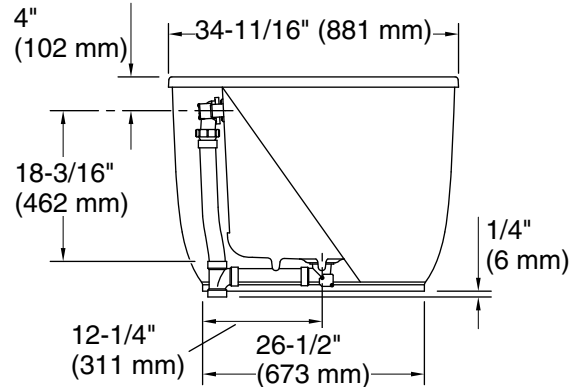
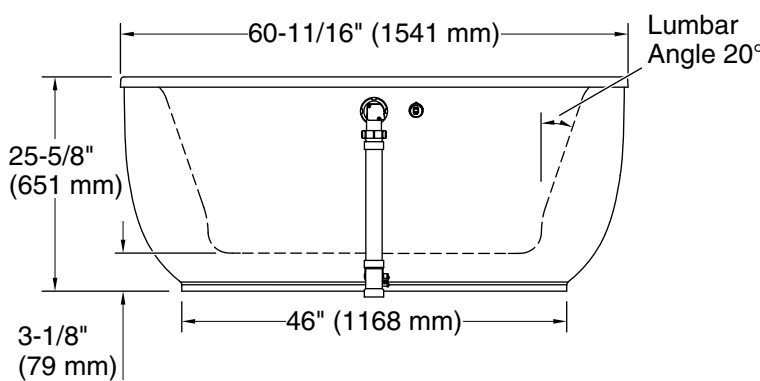
Color	Code	Description
	0	White
	96	Biscuit

No change in measurements if connected with drain illustrated. (K-37386)

□ Recommended Faucet Location



Recommended Faucet Hole Location



Required Electrical Service

One circuit required, protected with Class A Ground-Fault Circuit-Interrupter (GFCI). Outside North America, this device may be known as a Residual Current Device (RCD).

Heated Surface: 120 V, 15 A, 60 Hz

Technical Information

All product dimensions are nominal.

Installation: Freestanding

Drain location: Center

Basin area, bottom: 39-5/8" x 23-5/8" (1006 mm x 599 mm)

Basin area, top: 49-9/16" x 25-1/2" (1259 mm x 648 mm)

Weight: 170 lbs (77.1 kg)

Minimum floor load: 49.8 lbs/ft² (243.1 kg/m²)

Water depth: 16" (406 mm)

Water capacity: 60 gal (227.1 L)

Template: Footprint, 1364288, not required, not included

Electrical component rating: Heated Surface: 120 V, 0.5 A, 50/60 Hz, 65 W

Notes

Measure your actual product for rough-in details.

Install this product according to the installation instructions.

The hot water supply should be 70% of the capacity of the bath or greater. Installations will vary.

If installing a rim-mount faucet, make sure there is no interference above or below the deck before drilling any holes.